

UNLESS OTHERWISE SPECIFIED:

INTERPRET GEOMETRIC
TOLERANCING PER:
ASME Y14.5 -2009

DIMENSIONS ARE IN INCHES

TOLERANCES:
FRACTIONAL $\pm 1/32$
ANGULAR: $\pm 2^\circ$
TWO PLACE DECIMAL ± 0.010
THREE PLACE DECIMAL ± 0.005

SIZE

A

PART NO.

MX-SS-7F

REV

A

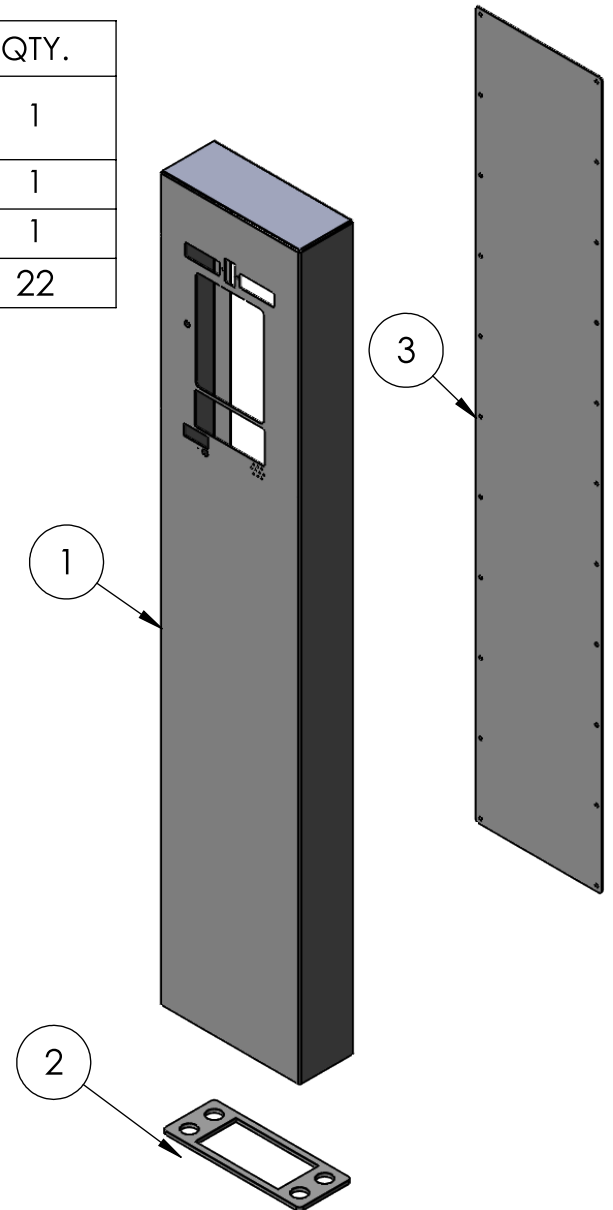
NO SCALE

SHEET 1 OF 3

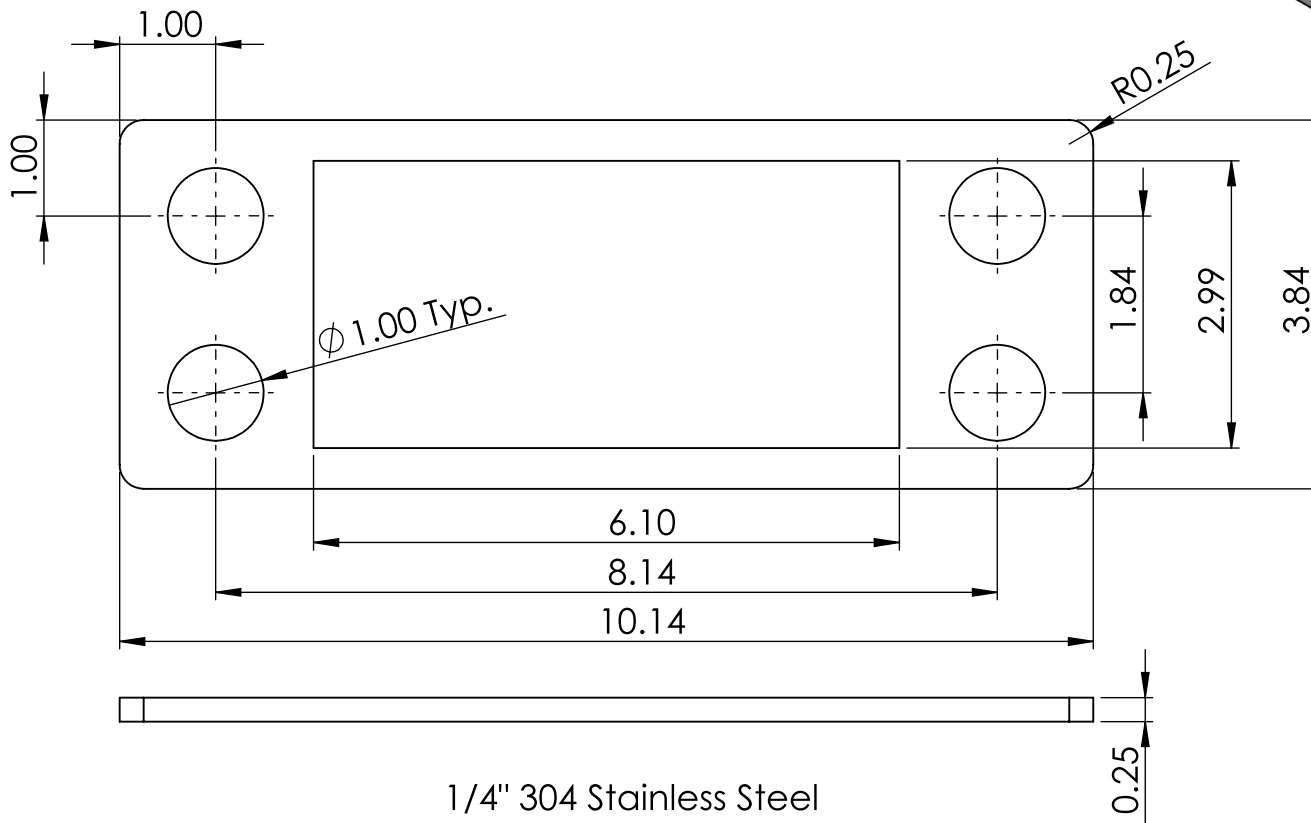
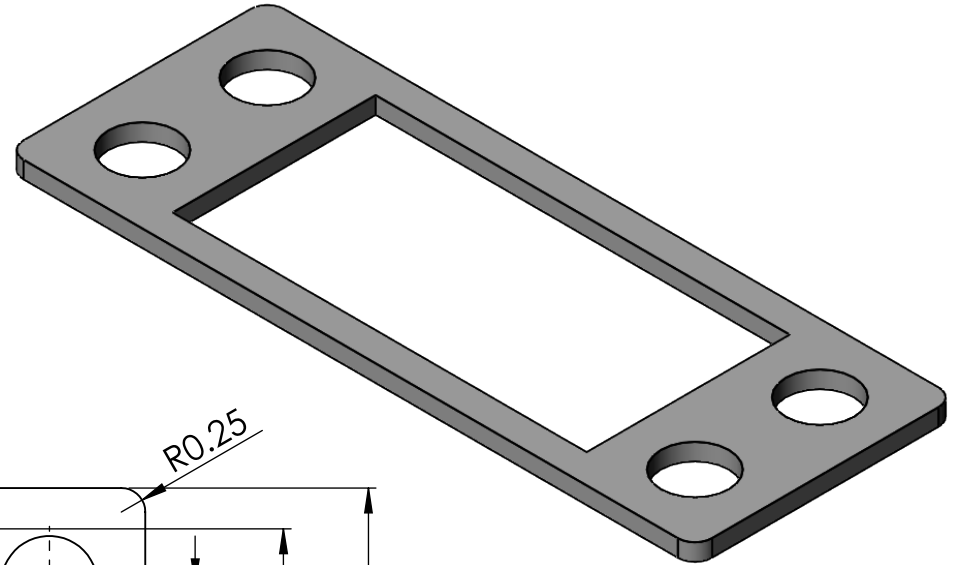
ITEM NO.	PART NUMBER	DESCRIPTION	QTY.
1	MX-7-FlushMountColumn-Body	Column Pedestal for Flush-Mount 7" BMX Panel	1
2	MX-SS-7-PLATE	Butterfly 7" Column Baseplate	1
3	MX-SS-7-PANEL	Butterfly 7" Column Back Panel	1
4	#10-24 1/2" Pan Head Screw	#10-24 1/2" Pan Head Screw	22

Notes

- 1) Baseplate Welded to Column Body
- 2) Back Panel Removable for Installation
- 3) Panel and Body constructed of 14GA 304 Stainless Steel with vertical brushed finished.



UNLESS OTHERWISE SPECIFIED: INTERPRET GEOMETRIC TOLERANCING PER: ASME Y14.5 -2009	DIMENSIONS ARE IN INCHES TOLERANCES: FRACTIONAL $\pm 1/32$ ANGULAR: $\pm 2^\circ$ TWO PLACE DECIMAL ± 0.010 THREE PLACE DECIMAL ± 0.005	SIZE	PART NO.	REV
		A	MX-SS-7F	A
NO SCALE			SHEET 2 OF 3	



1/4" 304 Stainless Steel

UNLESS OTHERWISE SPECIFIED: INTERPRET GEOMETRIC TOLERANCING PER: ASME Y14.5 -2009	DIMENSIONS ARE IN INCHES TOLERANCES: FRACTIONAL $\pm 1/32$ ANGULAR: $\pm 2^\circ$ TWO PLACE DECIMAL ± 0.010 THREE PLACE DECIMAL ± 0.005	SIZE A	PART NO. MX-SS-7-PLATE	REV A
		NO SCALE	SHEET 3 OF 3	