

UNLESS OTHERWISE SPECIFIED:

INTERPRET GEOMETRIC TOLERANCING PER: ASME Y14.5 -2009

DIMENSIONS ARE IN INCHES
TOLERANCES:
FRACTIONAL ± 1/32
ANGULAR: ± 2°
TWO PLACE DECIMAL ± 0.010
THREE PLACE DECIMAL ± 0.005

SIZE

A

PART NO.

MX-SS-21S

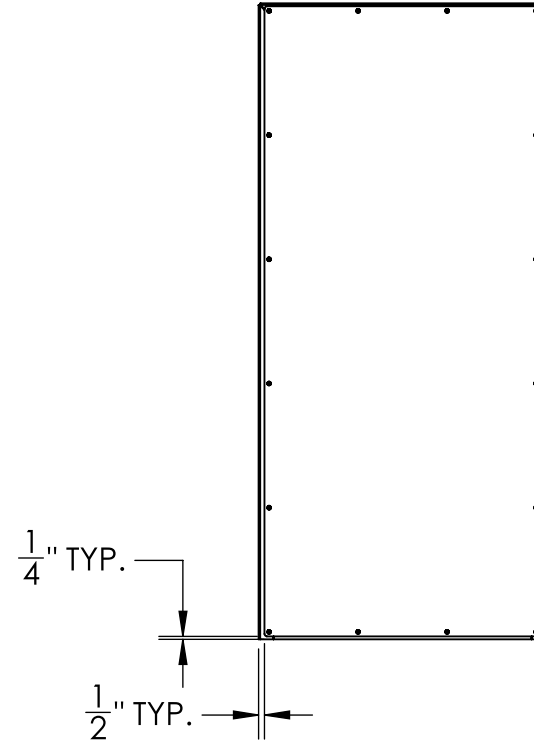
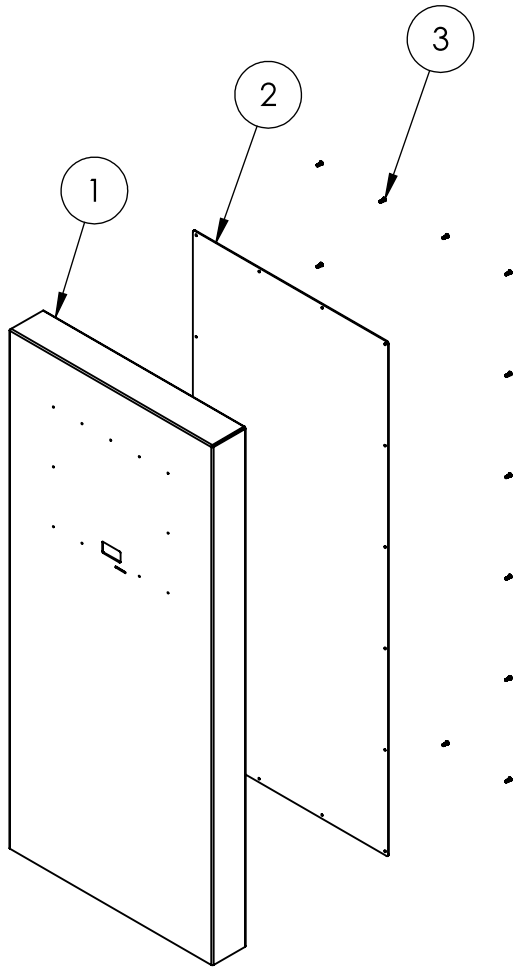
REV

0

NO SCALE

SHEET 1 OF 7

ITEM NO.	PART NUMBER	DESCRIPTION	QTY.
1	MX-21-SURFACEMOUNT-BODY-WELDMENT	COLUMN BODY WITH SUPPORT AND BASEPLATE	1
2	MX-21-COLUMN-BACKPANEL	COLUMN BACK PANEL WITH 8-32 THRU HOLES	1
3	91772A194	18-8 STAINLESS STEEL PAN HEAD PHILLIPS SCREW, 8-32 THREAD X 1/2'	16



UNLESS OTHERWISE SPECIFIED: INTERPRET GEOMETRIC TOLERANCING PER: ASME Y14.5 -2009	DIMENSIONS ARE IN INCHES TOLERANCES: FRACTIONAL $\pm 1/32$ ANGULAR: $\pm 2^\circ$ TWO PLACE DECIMAL ± 0.010 THREE PLACE DECIMAL ± 0.005	SIZE	PART NO.	REV
		A	MX-SS-21S	0
NO SCALE			SHEET 2 OF 7	