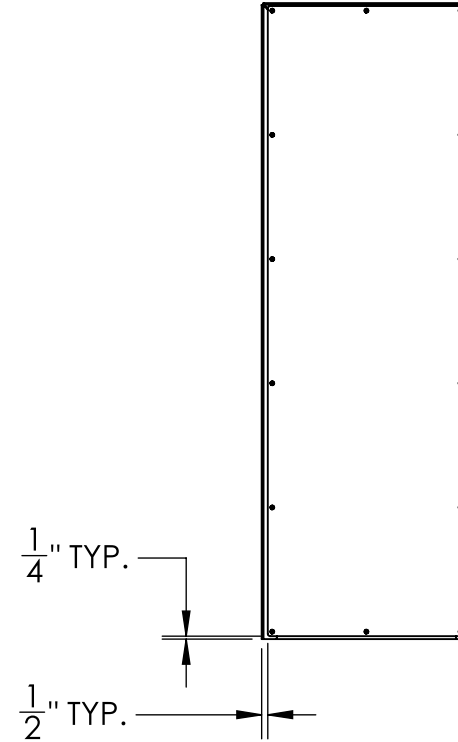
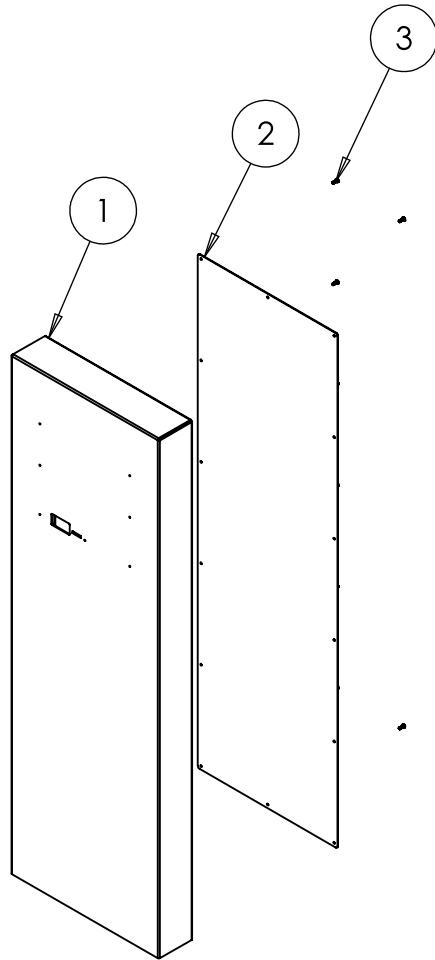


NOTES:

1. 12GA 304 SS CONSTRUCTION, BRUSHED VERTICALLY WITH #4 FINISH.

UNLESS OTHERWISE SPECIFIED: INTERPRET GEOMETRIC TOLERANCING PER: ASME Y14.5 -2009	DIMENSIONS ARE IN INCHES TOLERANCES: FRACTIONAL $\pm 1/32$ ANGULAR: $\pm 2^\circ$ TWO PLACE DECIMAL ± 0.010 THREE PLACE DECIMAL ± 0.005	SIZE A	PART NO. MX-SS-12S	REV 0
		NO SCALE	SHEET 1 OF 7	

ITEM NO.	PART NUMBER	DESCRIPTION	QTY.
1	MX-12-SURFACEMOUNTCOLUMN-BODY-WELDMENT	304 SS COLUMN BODY WITH SUPPORT AND BASEPLATE	1
2	MX-12-COLUMN-BACKPANEL	304 SS REMOVABLE BACK PANEL	1
3	91772A194	18-8 STAINLESS STEEL PAN HEAD PHILLIPS SCREW, 8-32 THREAD X 1/2"	14



UNLESS OTHERWISE SPECIFIED: INTERPRET GEOMETRIC TOLERANCING PER: ASME Y14.5 -2009	DIMENSIONS ARE IN INCHES TOLERANCES: FRACTIONAL $\pm 1/32$ ANGULAR: $\pm 2^\circ$ TWO PLACE DECIMAL ± 0.010 THREE PLACE DECIMAL ± 0.005	SIZE	PART NO.	REV
		A	MX-SS-12S	0
NO SCALE			SHEET 2 OF 7	