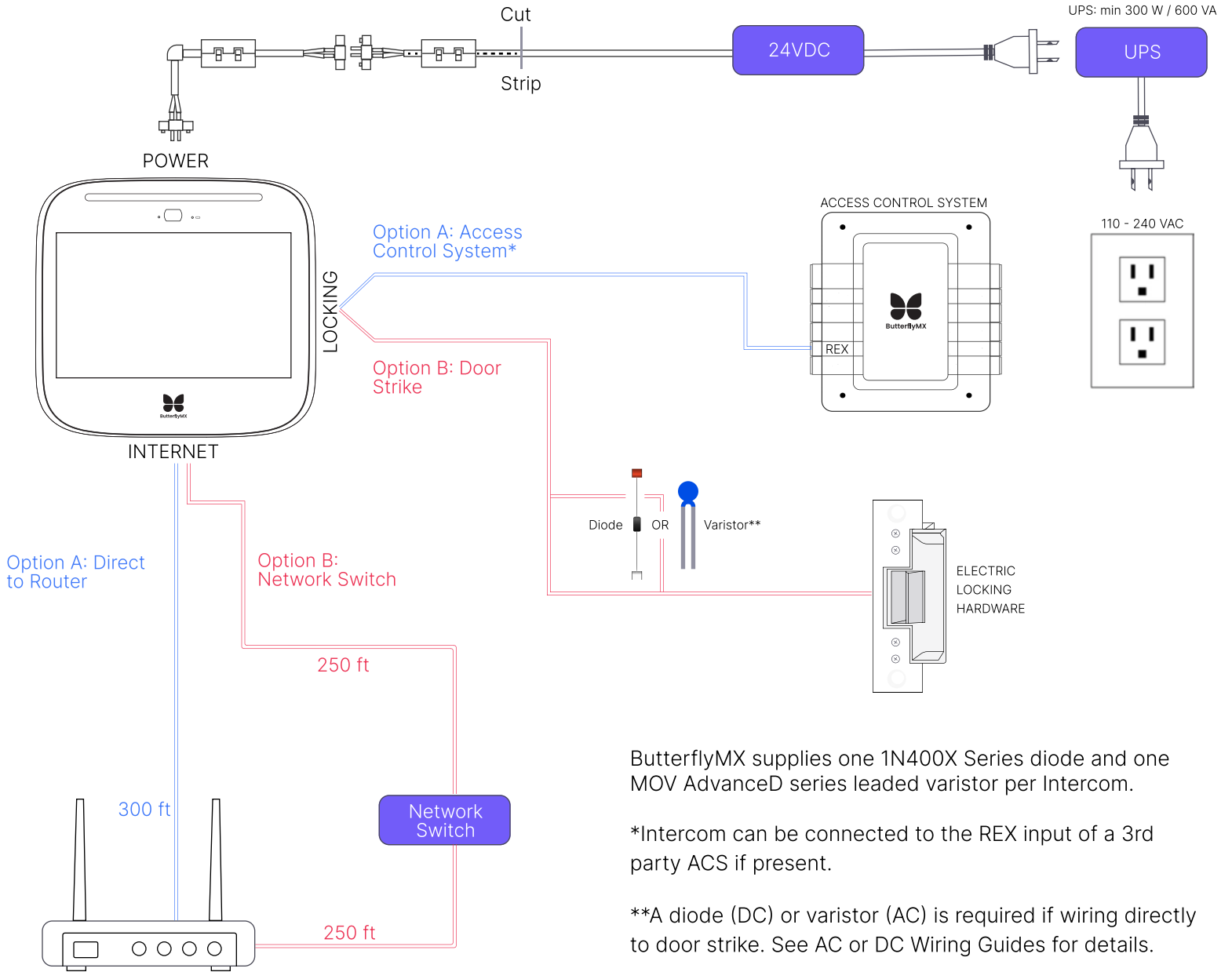


Wiring Diagram

For the 8" and 12" Intercom

 Images are not to scale.



ButterflyMX supplies one 1N400X Series diode and one MOV AdvancedD series leaded varistor per Intercom.

*Intercom can be connected to the REX input of a 3rd party ACS if present.

**A diode (DC) or varistor (AC) is required if wiring directly to door strike. See AC or DC Wiring Guides for details.

Wiring Information

For the 8" and 12" Intercom

Connection Path	Compatible Cables	Max Length
Intercom to electric locking hardware	18 AWG, 2 conductors (18/2) cable	See lock power supply for specifications and distance.
Intercom to ButterflyMX Access Control System (or third-party ACS)	18 AWG, 2 conductors (18/2) cable	—
Intercom to power outlet	10' 24VDC / 2.08A / 50W power supply (6' AC cord)	<p>DC length and gauge vary based on distance from Intercom to outlet.</p> <ul style="list-style-type: none">• 0 - 10 ft: use power adapter that is included & always install UPS.• 10 - 50 ft: 18 AWG• 50 - 100 ft: 16 AWG• 100 - 180 ft: 14 AWG• 180 - 300 ft: 12 AWG <p>If run length exceeds 200 ft, consider using a junction box.</p>
Intercom to internet router	Ethernet: CAT5e or higher (RJ45 terminations)	<p>328 ft</p> <ul style="list-style-type: none">• Length varies based on distance from Intercom to router.• If distance is greater than 300 ft, a switch or repeater is required.• Use a shielded twisted pairs cable wherever possible. <p><i>Note: Never splice Ethernet cables. Do not use couplers, extenders, or data jacks.</i></p> <p>Wireless options are available. Please see network requirements.</p>