

# Keypad

---

(see pages 2 and 3 for measurements)



## TOUCH-CAPACITIVE SCREEN

- Brightness: 450 nits
- IP65 dust and water resistant
- Chemical resistant
- Anti-reflective and anti-fingerprint coating
- Glass withstands a 225g drop ball test from 1.6 meters



## DIMENSIONS

- 6.18" x 3.14" x 1.15"
- 157mm x 80mm x 30mm
- Weight: 260g (without cables + backplate)



## POWER REQUIREMENTS

- Power over Ethernet (PoE) according to IEEE802.3af/at/bt
- PoE class 3 (Mode A), up to 12.95 W
- DC voltage range (PoE): 36-57 VDC
- DC maximum current (PoE): 400 mA
- Average power consumption: 2.5 W



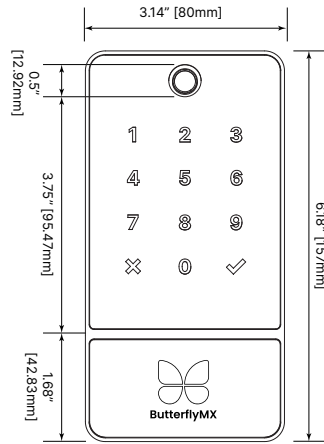
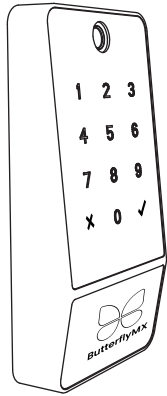
## COMPLETE SYSTEM

- 2 Mbps ethernet connection -Cat5e/Cat6
- Camera: 160° field of view (FoV)
- Camera resolution: 2592 x 1944 px
- Mono speaker output: 16bit, 48kHz, 0.6 W
- SDRAM: 512mb DDR3 DRAM
- eMMC storage: 4GB
- Min Temp: -20°C/ -4°F
- Max Temp: +60°C/ +140°F

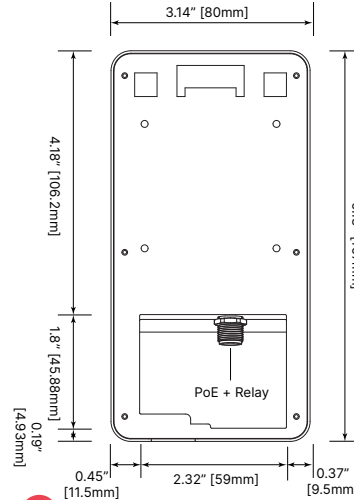
Support:

P: **(571) 480-6579 ext. 2** (Mon-Fri, 6am-10pm EST)

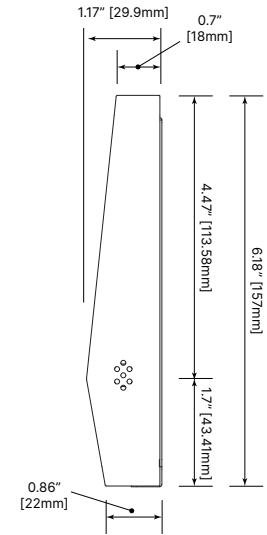
E: **support@butterflymx.com**



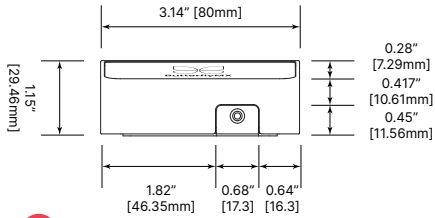
**1 KEYPAD FRONT ELEVATION**  
NOT TO SCALE



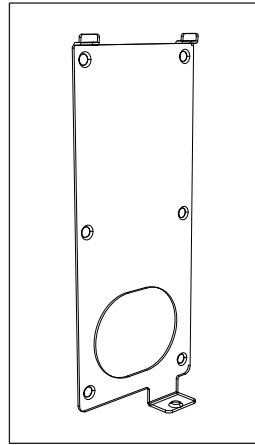
**2 KEYPAD REAR ELEVATION**  
NOT TO SCALE



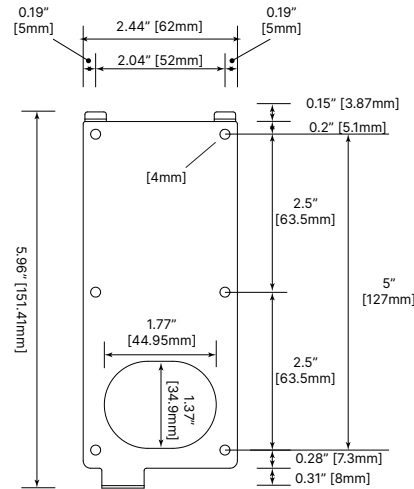
**3 KEYPAD SIDE ELEVATION**  
NOT TO SCALE



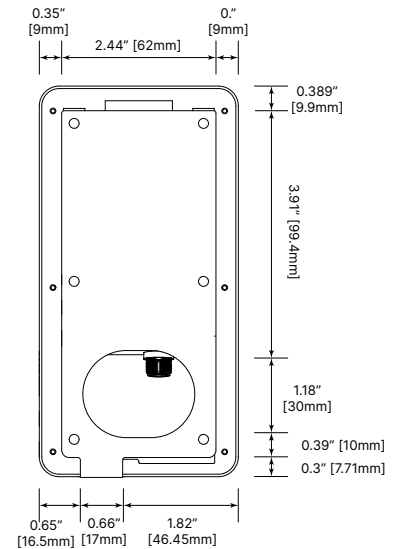
**4 KEYPAD BOTTOM ELEVATION**  
NOT TO SCALE



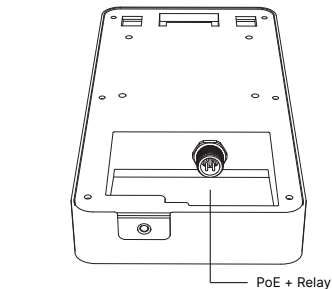
**6 BACKPLATE PERSPECTIVE VIEW**  
NOT TO SCALE



**7 BACKPLATE FRONT ELEVATION**  
NOT TO SCALE

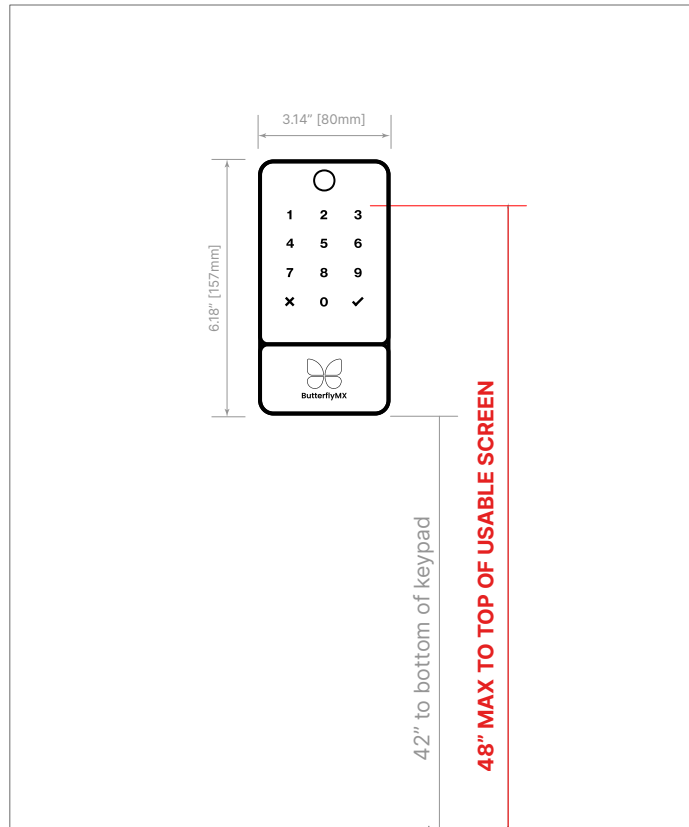


**8 KEYPAD REAR ELEVATION w/ BACKPLATE**  
NOT TO SCALE



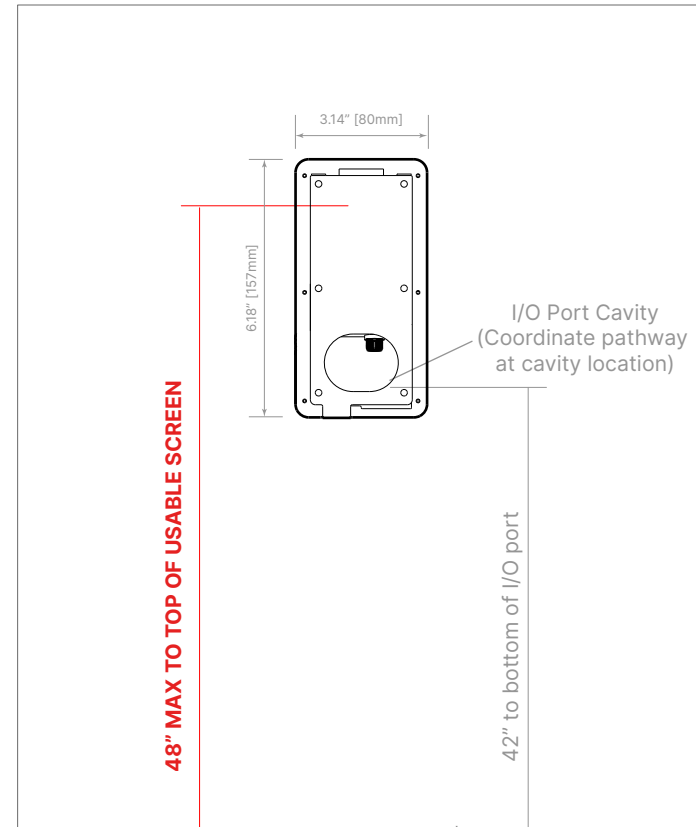
**5 I/O PORT**  
NOT TO SCALE

The following plans are diagrammatic. It will be up to the installation contractor to coordinate with associated trades and professionals to formalize a complete submission for installation. Keypad mounting height must not exceed 48" to be ADA compliant.



**ADA Compliance Requirement**

**1 FRONT VIEW**  
NOT TO SCALE



**ADA Compliance Requirement**

**2 REAR VIEW: BACKPLATE PLACEMENT**  
NOT TO SCALE