

# VEHICLE READER CUTSHEET



## SYSTEM SPECIFICATIONS

- Requires ButterflyMX cloud-based access controller
- Up to 45.9 ft reading distance with vehicle sticker
- UHF Frequency
  - 902 - 928 MHz: 915 MHz
- Visual light confirmation and audible beep
- Secure end-to-end bidirectional communication
- Accommodates indoor and outdoor installation environments
- IP66 weather-resistant with waterproof electronics
- IK10 reinforced vandal-proof structure
- Operating temperatures: -13°F to +140°F (- 25°C to +60°C)
- Humidity range: 5% - 95%



## DIMENSIONS

- Size: 13.7" H x 11" W x 1.8" D
- Weight: 93.5 oz (2.65 kg)
- Compliant with VESA 75 x 75 universal mounting kits (optional)



## POWER REQUIREMENTS

- Powered by ButterflyMX cloud-based access controller
- DC voltage: 9 - 36 VDC
- DC current: 900mA



## CERTIFICATIONS

- CE
- FCC
- UL

For support questions or issues contact:

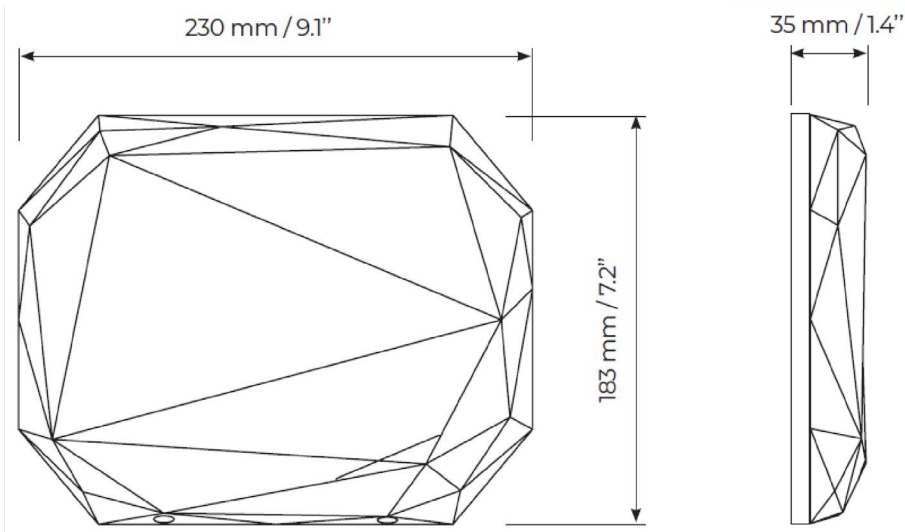
Phone: **800.398.4416** ext. 2

(Mon-Fri, 6am-10pm EST)

Email: [support@butterflymx.com](mailto:support@butterflymx.com)

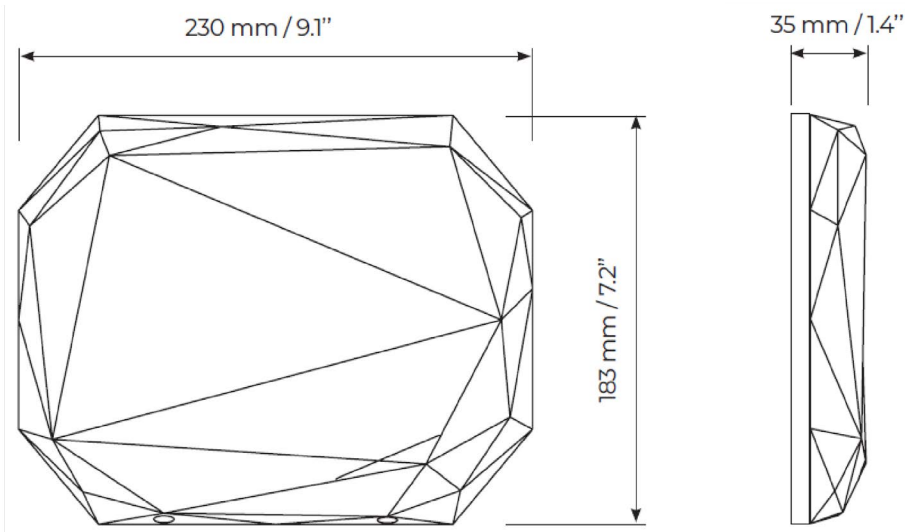
**1 VEHICLE READER FRONT ELEVATION**

NOT TO SCALE



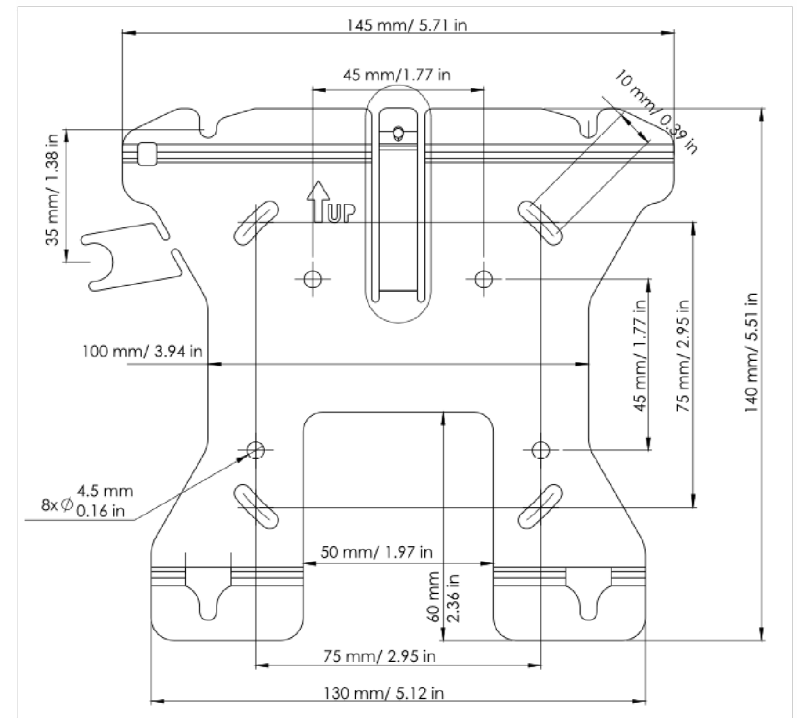
**2 VEHICLE READER SIDE ELEVATION**

NOT TO SCALE



**3 VEHICLE READER MOUNTING PLATE FRONT ELEVATION**

NOT TO SCALE



**4 VEHICLE READER AND MOUNTING PLATE REAR VIEW**

NOT TO SCALE

