

KEYPAD READER CUTSHEET



SYSTEM SPECIFICATIONS

- Requires ButterflyMX cloud-based access controller
- Works with ButterflyMX credentials: mobile app and fobs
- Multiple access technologies: mobile app, encrypted cards, NFC and Bluetooth (13.56 MHz)
- Interfaces: RS485
- OSDP™ compliant
- Temperature range: -31°F to 150°F (-35°C to 66°C) and 95% humidity
- FSK and ASK legacy credentials support for seamless transitions
- Visual light confirmation and audible beep
- Accommodates indoor and outdoor installation environments
- Remote management
- Tamper detection
- Utilizes EAL6+ cryptographic module



DIMENSIONS

- Size: 5.1" H x 3.25" W x .71" D
- Weight: 11.3 oz (321g)



POWER REQUIREMENTS

- Powered by ButterflyMX cloud-based access controller
- DC average current: 145 mA
- DC maximum current: 195 mA
- DC voltage: 5-16 V DC



CERTIFICATIONS

- FCC
- IC
- CE
- UL 294
- EN (302291, 301489, 300330, 50130-4) IP55
- BIS IS 13252

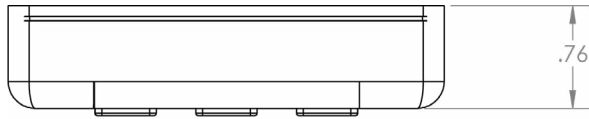
For support questions or issues contact:

Phone: **800.398.4416** ext. 2

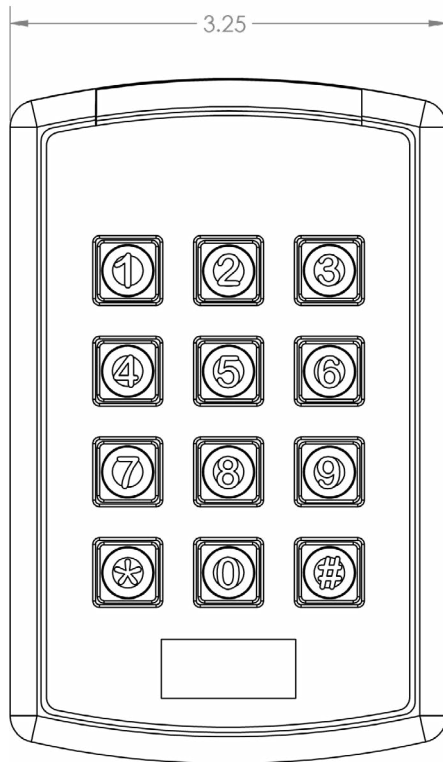
(Mon-Fri, 6am-10pm EST)

Email: support@butterflymx.com

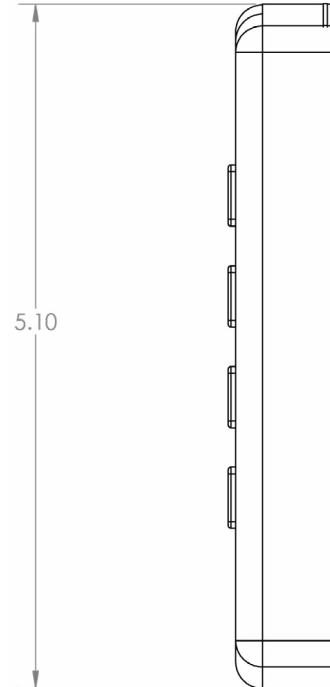
1 KEYPAD READER TOP/BOTTOM ELEVATION
NOT TO SCALE



2 KEYPAD READER FRONT ELEVATION
NOT TO SCALE



3 KEYPAD READER SIDE ELEVATION
NOT TO SCALE



4 KEYPAD READER ISOMETRIC VIEW
NOT TO SCALE

