

CLOUD-BASED ACCESS CONTROLLER CUTSHEET



SYSTEM SPECIFICATIONS

- Support for all types of doors & gates
- Secure offline mode support
- Unlimited encrypted code storage for offline use
- Unlimited encrypted fob/card storage for offline use
- Smart open/close schedule
- 2 peripheral inputs
- 2 wet relay outputs (12VDC, 1A)
- 2 dry relay outputs
- 2 REX inputs
- 2 auxiliary relay outputs
- Fire switch override input
- Ethernet port (RJ45) input
- Battery backup input
- Power input with a barrel connector



DIMENSIONS

- 4.74" x 5.87" x 1.28"
- 120.6mm x 149.3mm x 32.5mm



POWER REQUIREMENTS

- DC input: 12VDC, 5A
- Normal power consumption (not powering locking mechanisms): 6W
- Maximum power consumption: 48W
- 12V backup battery connector with built-in charging circuit (not required)



NETWORK OPTIONS

- Ethernet
- WiFi



CERTIFICATIONS

- FCC
- IEC 62599
- UL 294
- UL 62368
- CAN/ULC 60839

For support questions or issues contact:

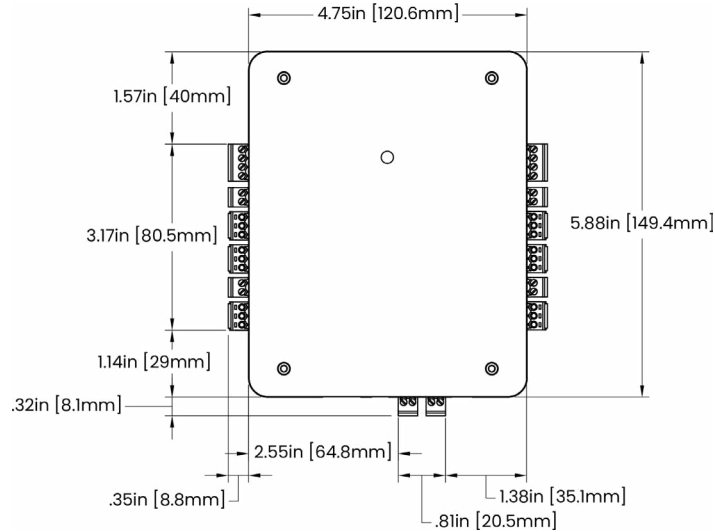
Phone: **800.398.4416** ext. 2

(Mon-Fri, 6am-10pm EST)

Email: support@butterflymx.com

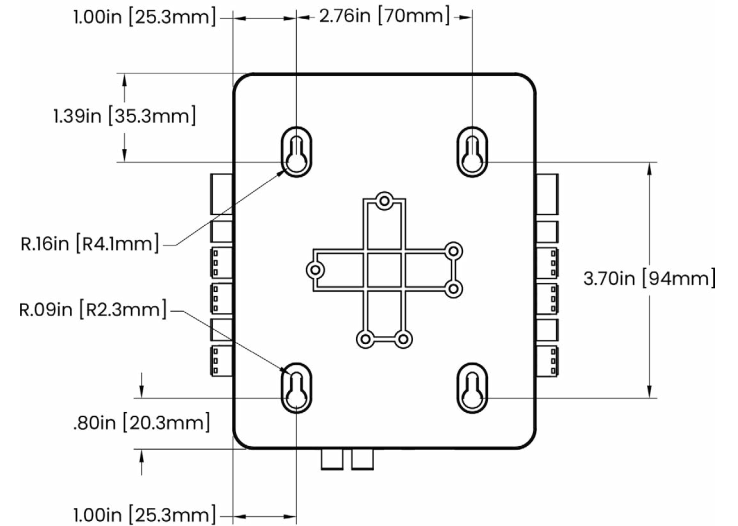
1 ACCESS CONTROLLER FRONT ELEVATION

NOT TO SCALE



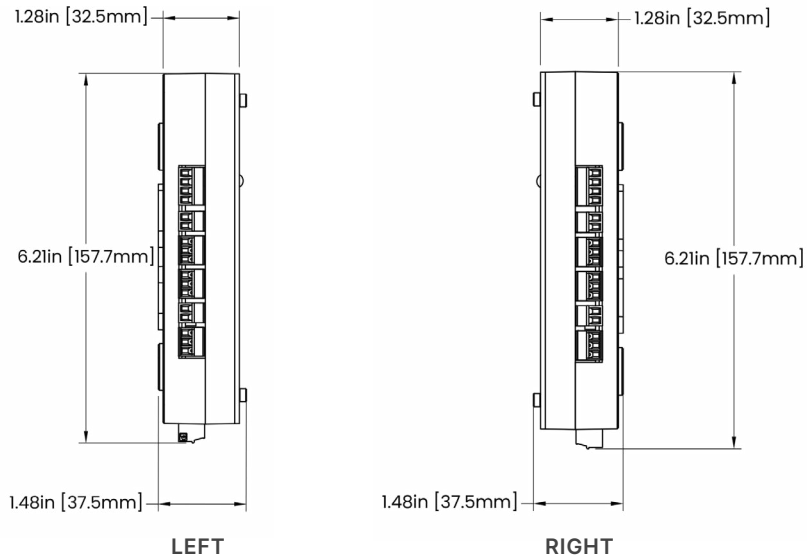
2 ACCESS CONTROLLER REAR ELEVATION

NOT TO SCALE



3 ACCESS CONTROLLER SIDE ELEVATION

NOT TO SCALE



3 ACCESS CONTROLLER ISOMETRIC VIEW

NOT TO SCALE

